

# TECHNOLOGY REPORT

**Marshall Electronics, Inc.**

1910 East Maple Av, El Segundo, CA 90245 USA

TEL : 310-333-0606

FAX : 310-333-0688

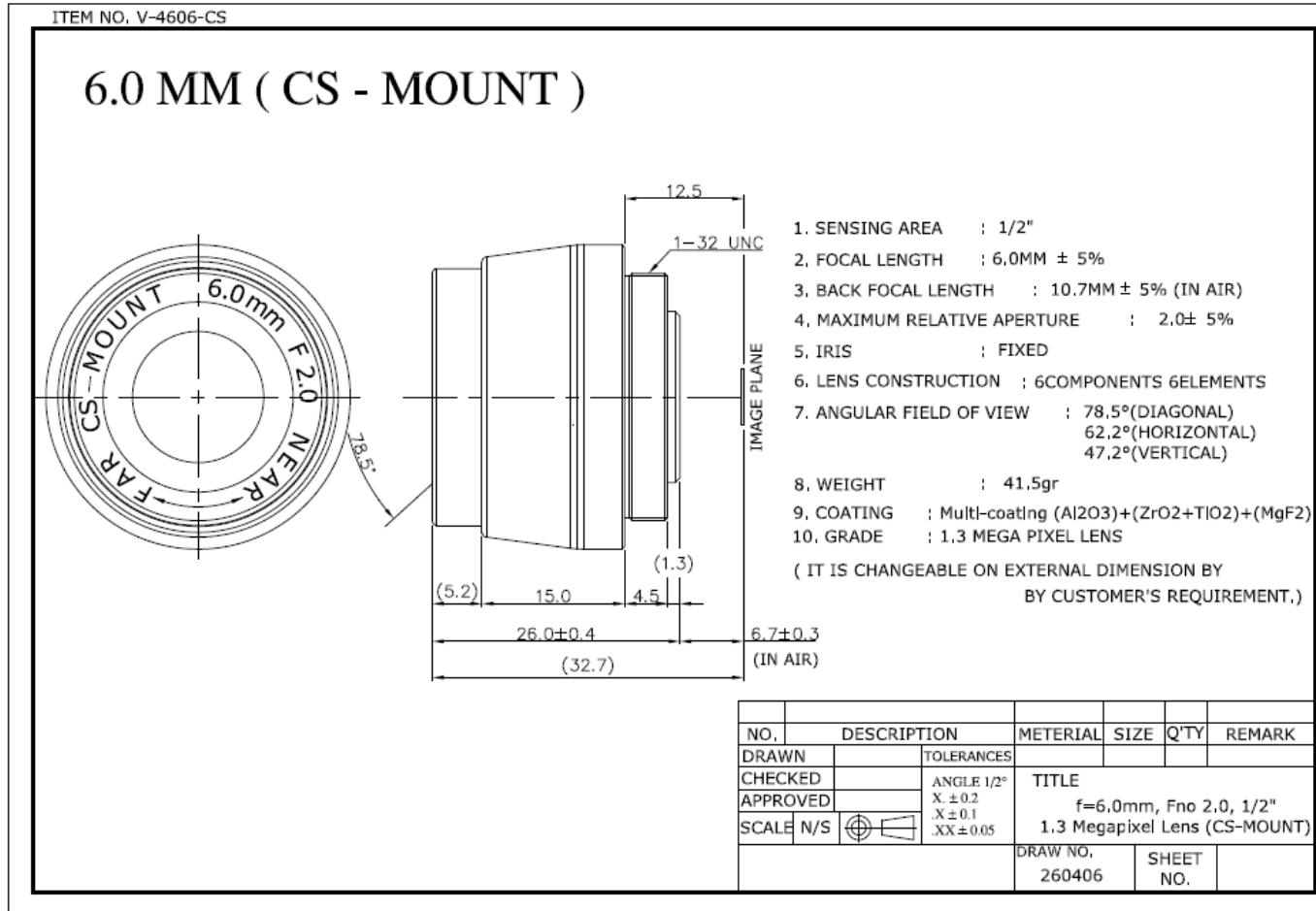
Website: [www.marshall-usa.com](http://www.marshall-usa.com)

Email: [sales@mars-cam.com](mailto:sales@mars-cam.com)

## V-4606-CS

## 6.0mm F2.0 CS-Mount 1.3 MegaPixel CCTV Lens

### Specification Data Sheet



# TECHNOLOGY REPORT

**Marshall Electronics, Inc.**

1910 East Maple Av, El Segundo, CA 90245 USA

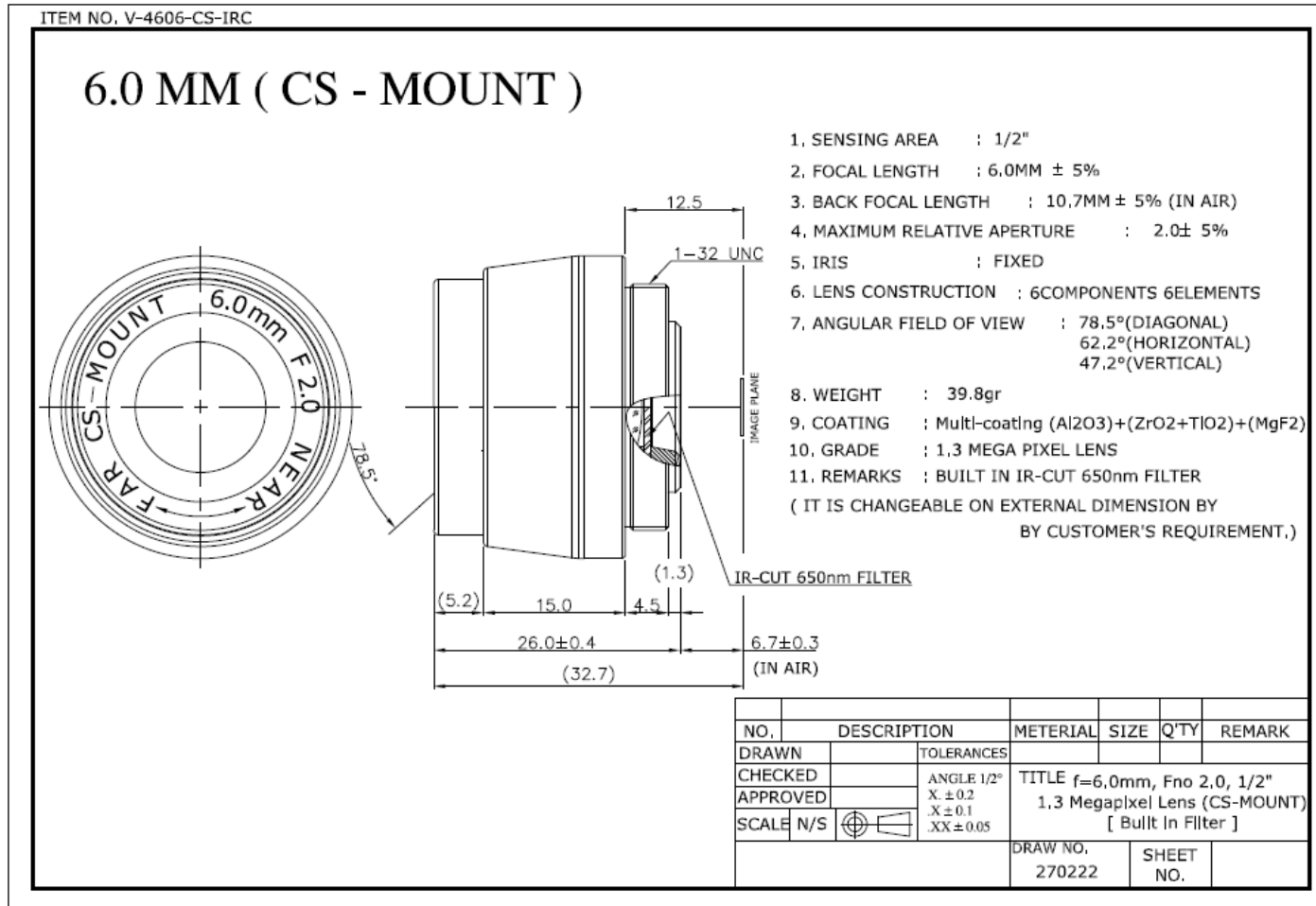
TEL : 310-333-0606

FAX : 310-333-0688

Website: [www.marshall-usa.com](http://www.marshall-usa.com)

Email: [sales@mars-cam.com](mailto:sales@mars-cam.com)

## V-4606-CS-IRC 6.0mm F2.0 (650nm IR Cut Filter) CS-Mount 1.3 MegaPixel CCTV Lens Specification Data Sheet



# TECHNOLOGY REPORT

**Marshall Electronics, Inc.**

1910 East Maple Av, El Segundo, CA 90245 USA

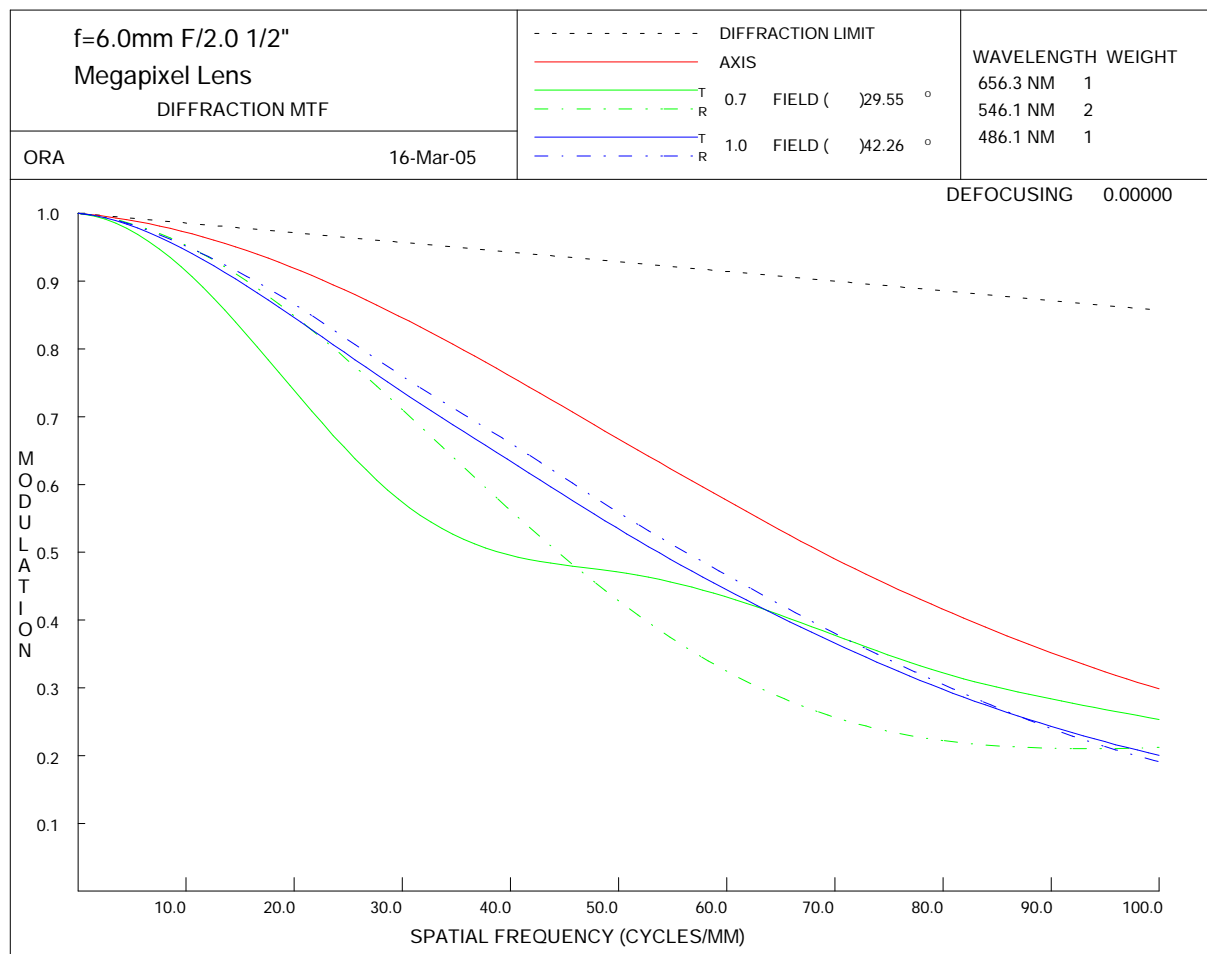
TEL : 310-333-0606

FAX : 310-333-0688

Website: [www.marshall-usa.com](http://www.marshall-usa.com)

Email: [sales@mars-cam.com](mailto:sales@mars-cam.com)

## MTF (modulation transfer function)



# TECHNOLOGY REPORT

**Marshall Electronics, Inc.**

1910 East Maple Av, El Segundo, CA 90245 USA

TEL : 310-333-0606

FAX : 310-333-0688

Website: [www.marshall-usa.com](http://www.marshall-usa.com)

Email: [sales@mars-cam.com](mailto:sales@mars-cam.com)

## Optical Distortion

